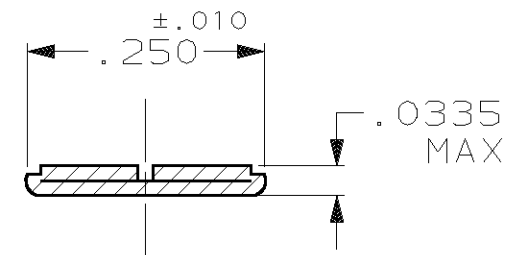
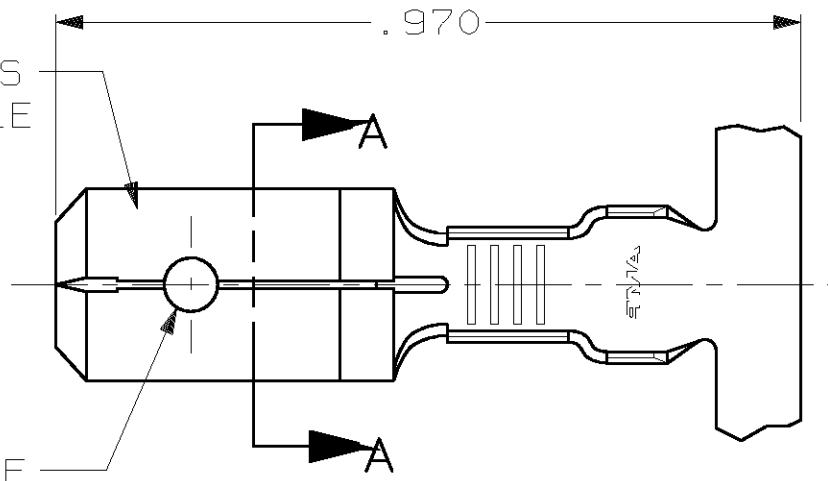


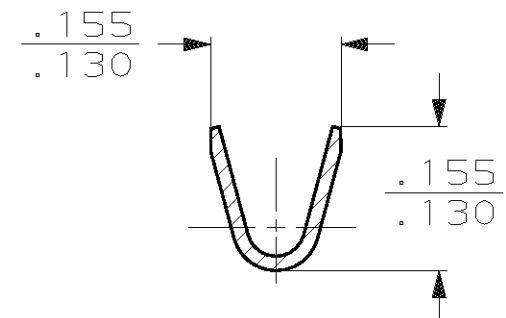
THIS DRAWING IS UNPUBLISHED. RELEASED FOR PUBLICATION, 19
 © COPYRIGHT 19 BY AMP INCORPORATED. ALL INTERNATIONAL RIGHTS RESERVED.

LOC	DIST	P	F	ZONE	LTR	DESCRIPTION	DATE	APPD
AF	50				T	ADDED -6 PER 0G3A-0431-02	29JUL02	MF/ND

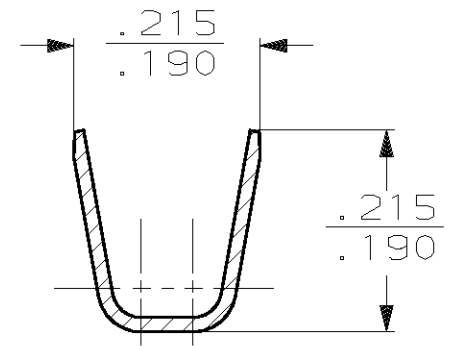
FITS .250 SERIES FASTON RECEPTACLE



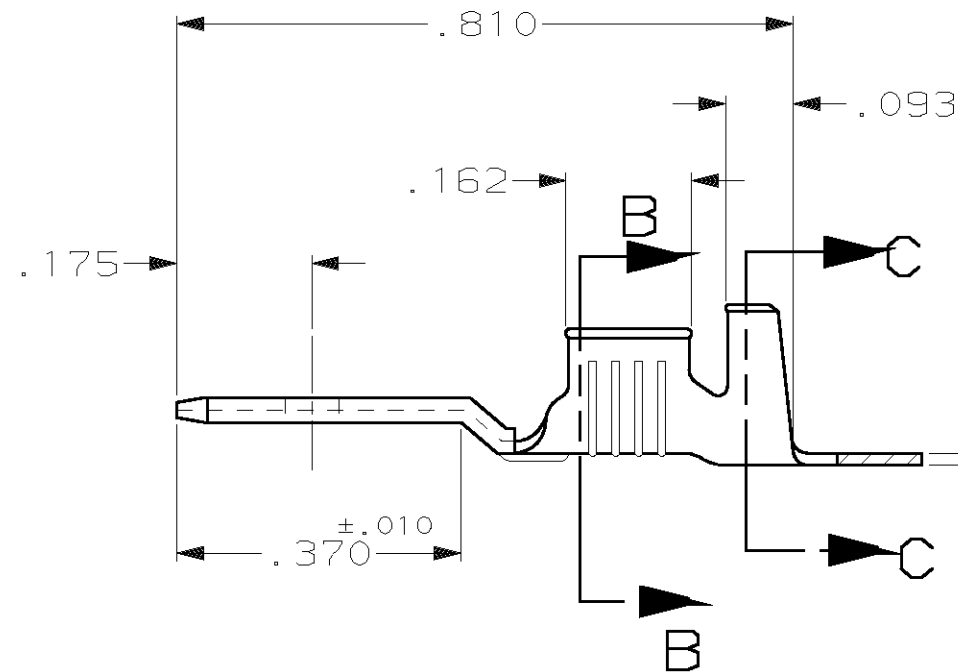
SECTION A-A
SCALE 5:1



SECTION B-B
SCALE 5:1



SECTION C-C
SCALE 5:1



- 1 CONTINUOUS STRIP ON REELS.
- 2 FEED TO BE .540±.005.
- 3 REVERSED REEL OF 42474-1.
- 4 REVERSED REEL OF 42474-2.
- 5 FOREIGN PRODUCTION ONLY.
- 6 LUBRICANT APPLIED AFTER TIN PLATING.

6	4	TIN .000080 MIN	.110-.150 DIA	18-14 AWG	42474-7
5	5	SILVER .000120 MIN			42474-6
4	4	TIN .000080 MIN			42474-5
3	3	TIN .000080 MIN			42474-4
5	5	-			42474-3
		-			42474-2
		FINISH	INSULATION RANGE	WIRE SIZE	PART NO

DO NOT SCALE PRINT. UNLESS SPECIFIED DIMENSIONS ARE IN INCHES TOLERANCES ON: 2 PLC DEC ± - 3 PLC DEC ± .015 ANGLES ± -	DR 1/31/91 JR RUTH CHK 1/31/91 MS FEHER APPD 1/31/91 C MEYERS APPD 1/31/91 D REINER
MATERIAL #2H BRASS	PRODUCT SPEC -
FINISH SEE TABLE	APPLICATION SPEC -
	WEIGHT -

AMP Incorporated Harrisburg, PA 17105-3608		
NAME TAB, FASTON,™ .250 SERIES		
SIZE B	CAGE CODE 00779	DRAWING NO 42474
SCALE 4:1	SHEET 1 OF 1	